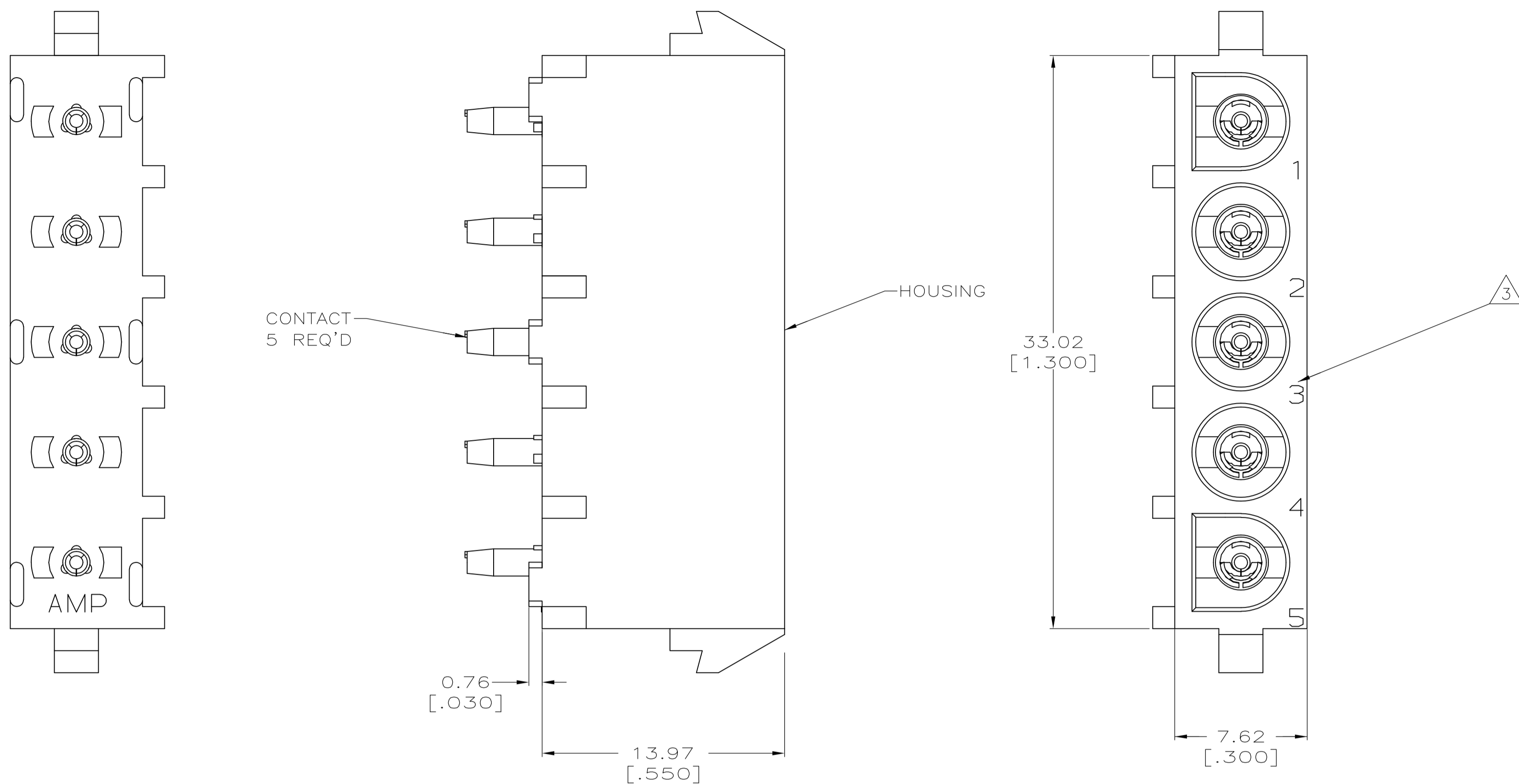
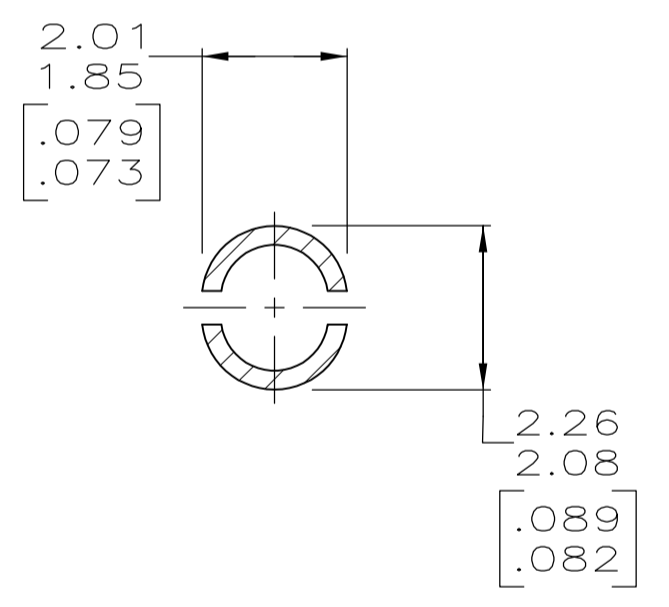
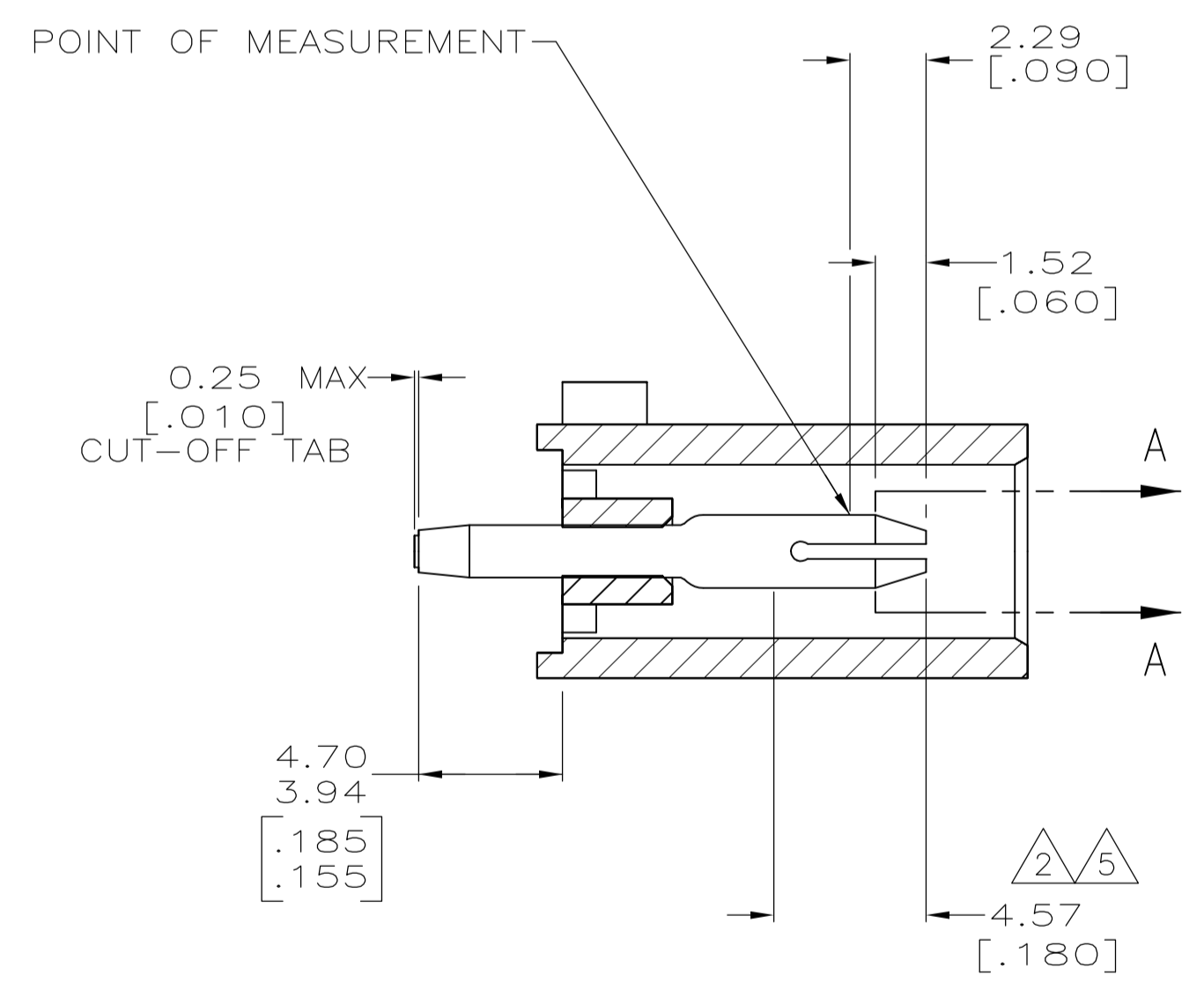


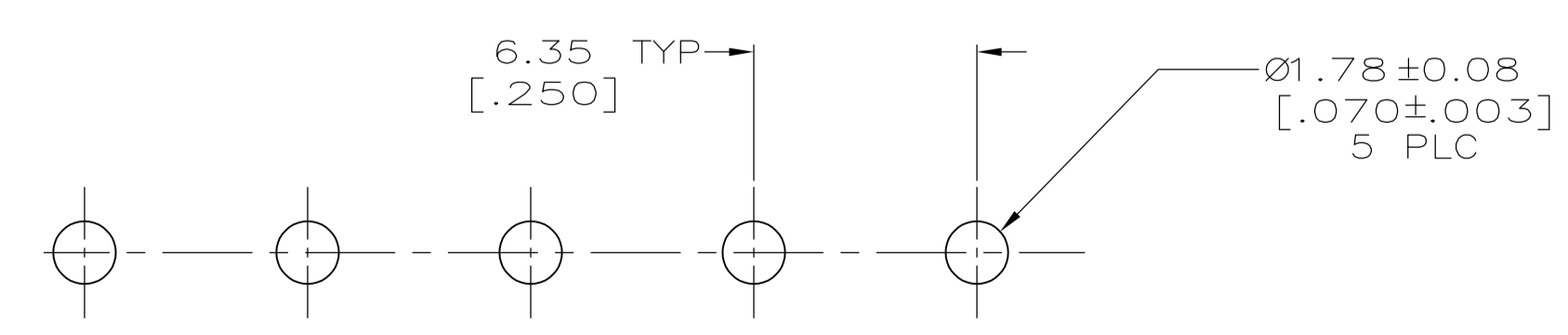
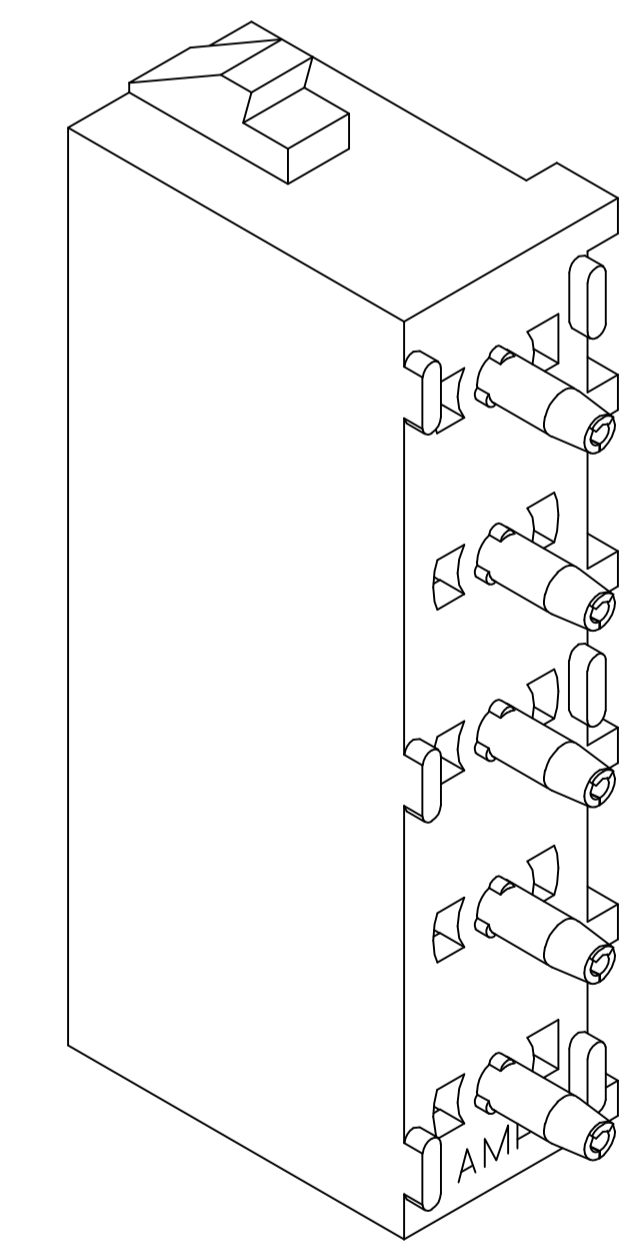
LOC		DIST		REVISIONS			
REV	DATE	BY	APP'D	DESCRIPTION	DATE	BY	APP'D
M1	31JAN13			REVISED PER ECR-12-011660		KH	TM



- 1 PARTS COMPLY TO AMP SOLDERABILITY SPECIFICATION 109-11-3.
- 2 CONTACT IS PLATED OVERALL WITH 0.00127 [.000050] NICKEL, THEN 0.00076 [.000030] GOLD OVER CONTACT LENGTH INDICATED AND MATTE TIN LEAD ON SOLDER TAIL END.
- 3 CIRCUIT IDENTIFICATION CHARACTERS ARE ADJACENT TO THE INDICATED CAVITIES, BUT LOCATION AND ORIENTATION MAY DIFFER FROM PRINT.
- 4 DIMENSIONS IN BRACKETS ARE IN INCHES.
- 5 CONTACT IS PLATED OVERALL WITH 0.00127 [.000050] NICKEL, THEN 0.00076 [.000030] GOLD OVER CONTACT LENGTH INDICATED AND MATTE TIN ON SOLDER TAIL END.
- 6 SUPERSEDED BY 640466-3



SECTION A-A
SCALE 10:1



RECOMMENDED MOUNTING HOLE PATTERN FOR 1.57 [.062] THICK P.C. BOARD

MATERIAL	FINISH	HOUSING MATERIAL	PART NUMBER
PHOSPHOR BRONZE, GOLD	5	NYLON,UL94V-2,NATURAL	640466-3
PHOSPHOR BRONZE, GOLD	2	NYLON,UL94V-2,NATURAL	640466-2
PHOSPHOR BRONZE, PRE-TIN		NYLON,UL94V-2,NATURAL	640466-1

THIS DRAWING IS A CONTROLLED DOCUMENT.		DIN 9137	10-05-98	 TE Connectivity
DIMENSIONS: mm [INCHES]		CSK	10-05-98	
TOLERANCES UNLESS OTHERWISE SPECIFIED:		RS SWING	10-05-98	NAME: PIN HEADER ASSEMBLY, 5 CIRCUIT UNIVERSAL MATE-N-LOK™ PRODUCT SPEC: APPLICATION SPEC
0 PLC ± -		MT RULL	10-05-98	
1 PLC ± -		NAME		SIZE: A1
2 PLC ± 0.13 [.005]		APPLICATION SPEC		CAGE CODE: 640466
3 PLC ± -		WEIGHT		RESTRICTED TO: -
4 PLC ± -		SCALE: 5:1		SHEET 1 OF 1
ANGLES ± 0°30'		CUSTOMER DRAWING		REV M1